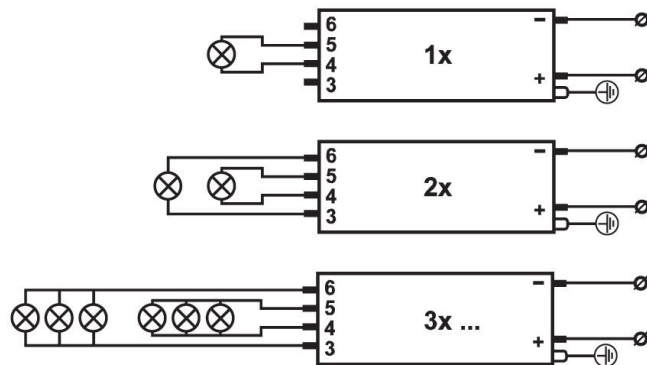


ELECTRONIC CONVERTORS FOR HALOGEN LAMPS



C = control (+Vcc ⇒ 33% flujo / flow)

GENERAL FEATURES

- Protections against:
 - reverse input polarity
 - output terminals short-circuit
 - open-circuit
 - input voltages out of specified range (automatic reset)
- Withstands shock and vibrations according to EN 50155.

APPLICATIONS

- Railway applications: trains, subway trains, tramways, ...
- Busses
- Marine industry
- Mining industry
- Emergency lighting
- Photovoltaic solar energy
- Recreational vehicles...

TECHNICAL DATA

Reference		CH 110/120P	CH 072/20P
Design voltage	Vdc	110	72
Nominal voltage range	Vdc	75 - 135	50 - 90
Nominal current	A	1,15	0,32
Rated max. temperature (tc)	°C	+ 70	+ 85
Working frequency with lamp	kHz	> 18	-
Output voltage		11,5 Vac	11,5 Vdc
Output power	W	40 min. - 120 max.	20
Dimensions		Fig. 1	Fig. 2

(*) Special designs upon request

DIMENSIONS (mm)

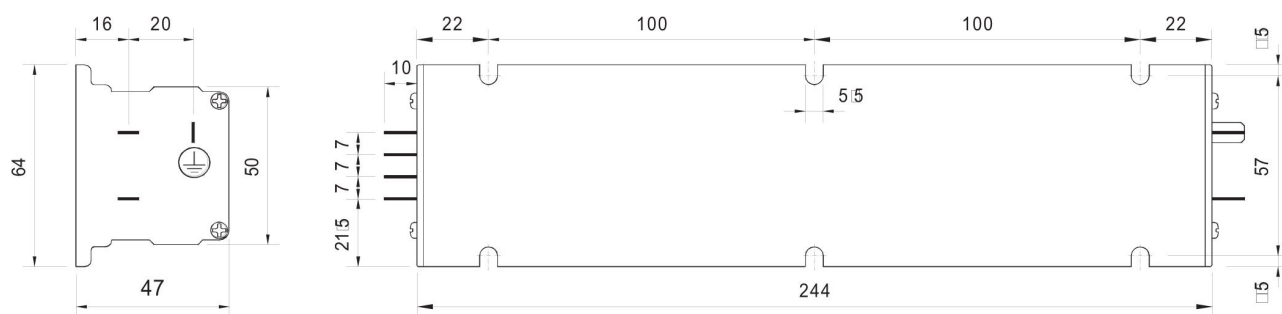


Fig. 1

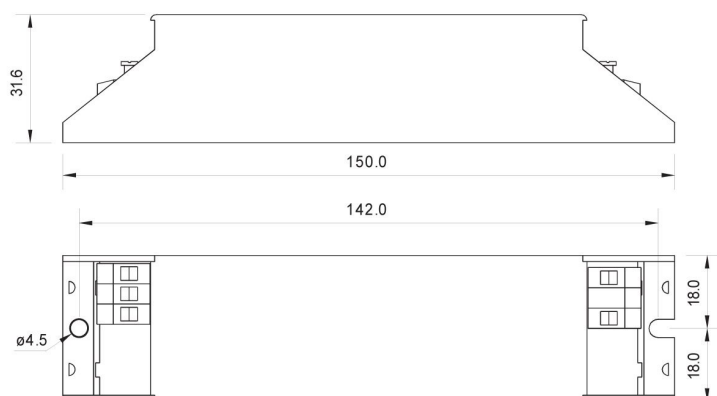


Fig. 2

We reserve the right to make technical changes without prior notice. Consult sales terms and conditions.